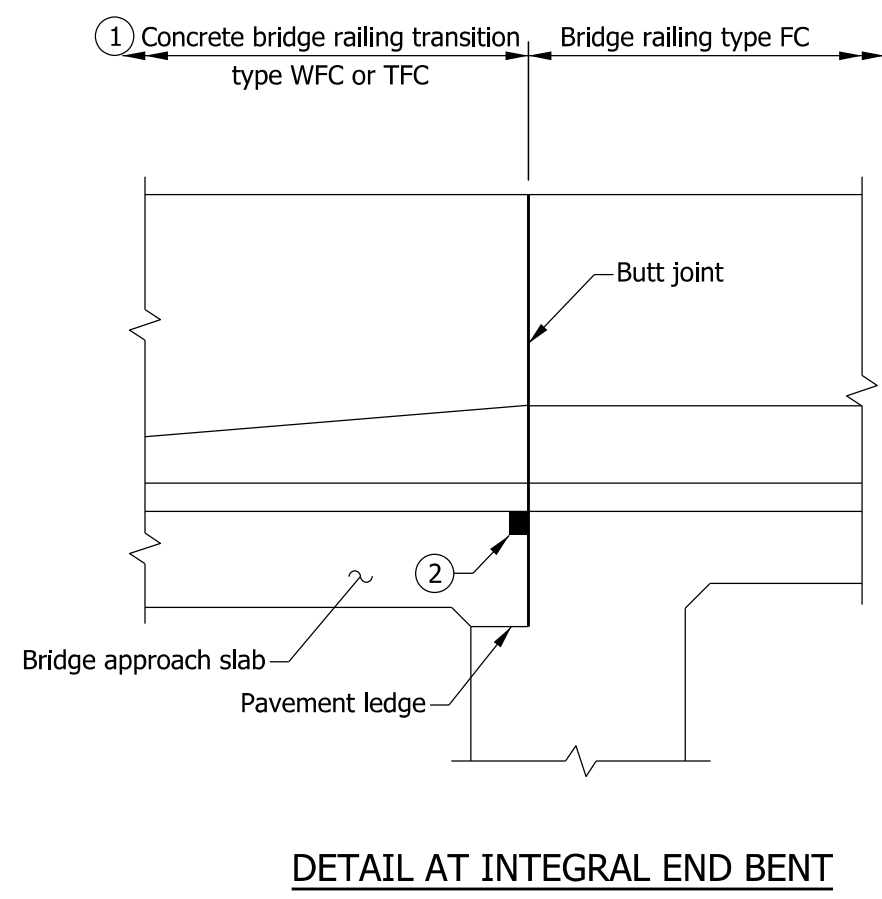
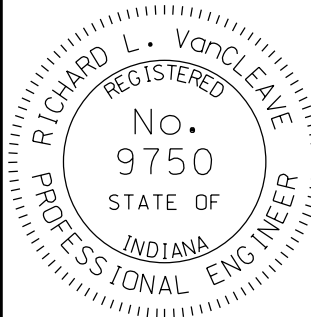
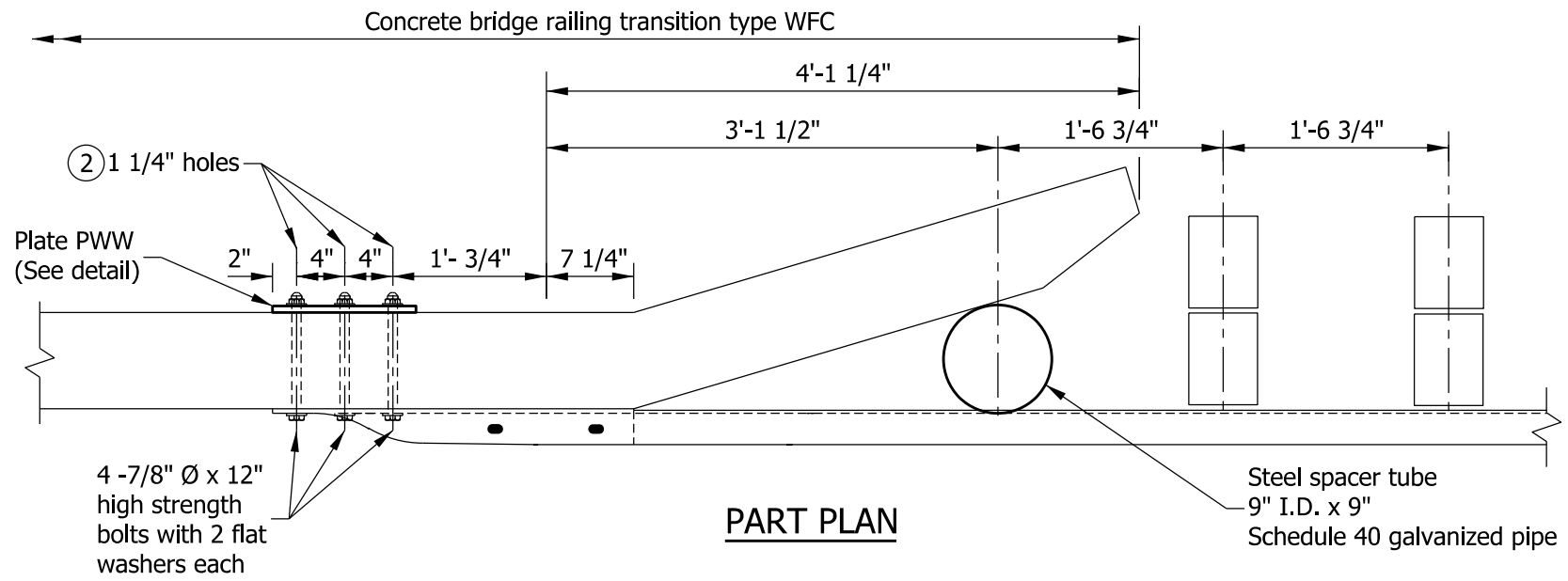


NOTES

- ① See Standard Drawings E 706-TWFC-01 through -03 for concrete bridge railing transition type WFC. See Standard Drawings E 706-TTFC-01 through -03 for concrete bridge railing transition type TFC.
- ② See Standard Drawing E 609-BRJT-01 for joint type I-A.
- ③ This shall be part of the concrete bridge railing, but it shall be poured with the concrete bridge-railing transition. The minimum length shall be equal to the width of the mudwall. See Standard Drawing E 706-BRSF-01 for bridge railing type FC dimensions.
- 4. See Standard Drawing E 703-BRST-01 for reinforcing-bar bending details and notes.



INDIANA DEPARTMENT OF TRANSPORTATION									
BRIDGE RAILING TRANSITION WFC OR TFC DETAILS AT END BENT									
SEPTEMBER 2012									
STANDARD DRAWING NO.	E 706-CBRT-01								
	<table style="width: 100%; border-collapse: collapse;"> <tr> <td style="width: 80%; border-bottom: 1px solid black;">/s/ <i>Richard L. VanCleave</i></td> <td style="width: 20%; border-bottom: 1px solid black;">09/04/12</td> </tr> <tr> <td style="font-size: small;">SUPERVISOR, ROADWAY STANDARDS</td> <td style="font-size: small;">DATE</td> </tr> <tr> <td style="border-bottom: 1px solid black;">/s/ <i>Mark A. Miller</i></td> <td style="border-bottom: 1px solid black;">09/04/12</td> </tr> <tr> <td style="font-size: small;">CHIEF ENGINEER</td> <td style="font-size: small;">DATE</td> </tr> </table>	/s/ <i>Richard L. VanCleave</i>	09/04/12	SUPERVISOR, ROADWAY STANDARDS	DATE	/s/ <i>Mark A. Miller</i>	09/04/12	CHIEF ENGINEER	DATE
/s/ <i>Richard L. VanCleave</i>	09/04/12								
SUPERVISOR, ROADWAY STANDARDS	DATE								
/s/ <i>Mark A. Miller</i>	09/04/12								
CHIEF ENGINEER	DATE								



PART PLAN

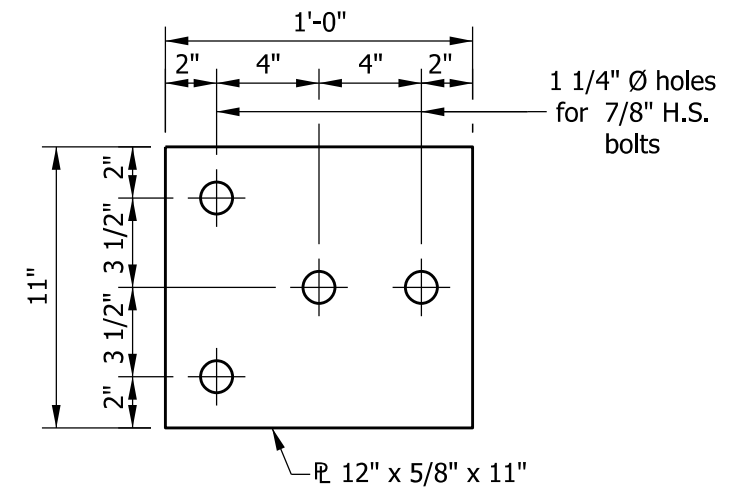
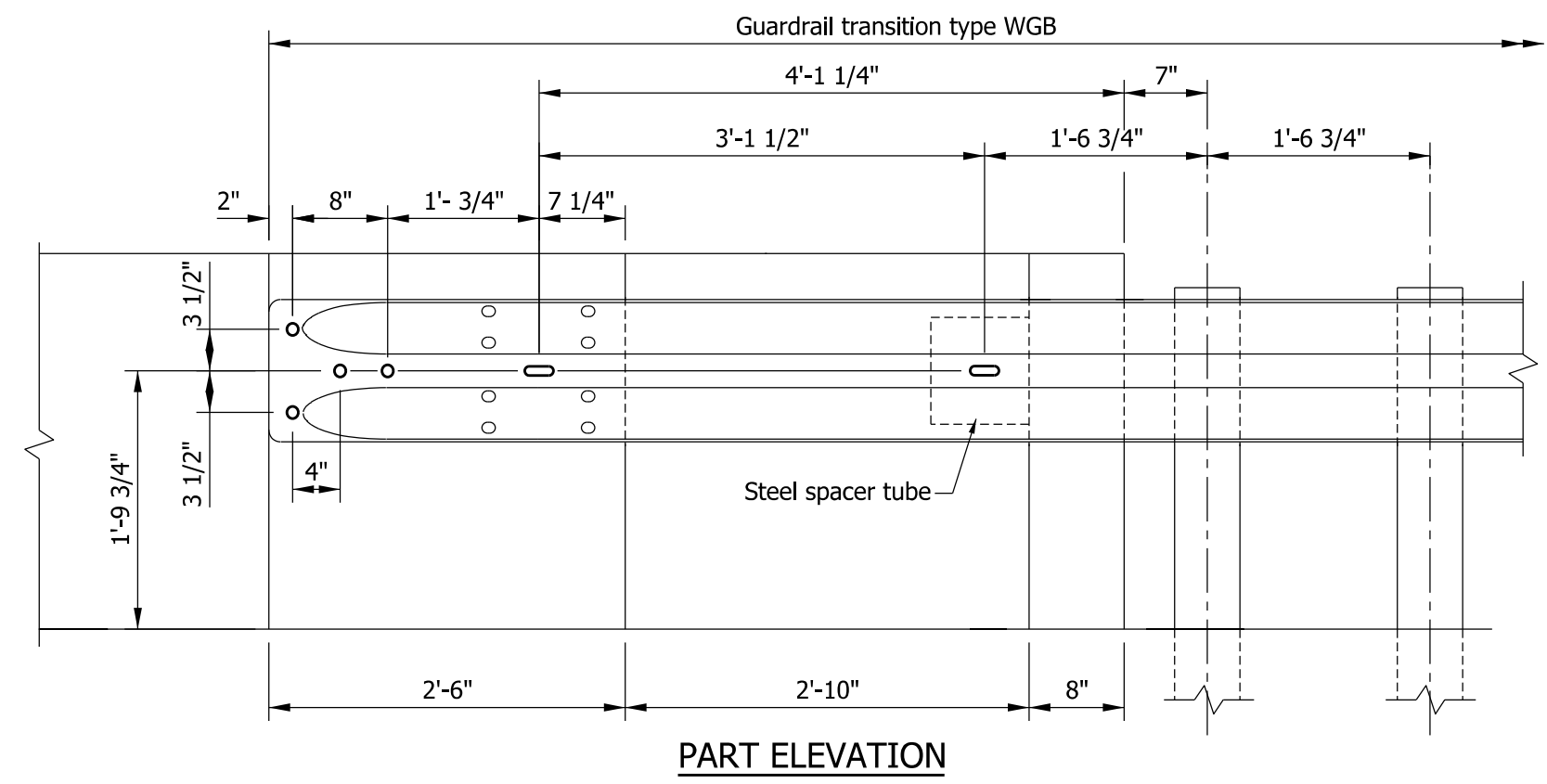


PLATE PWW

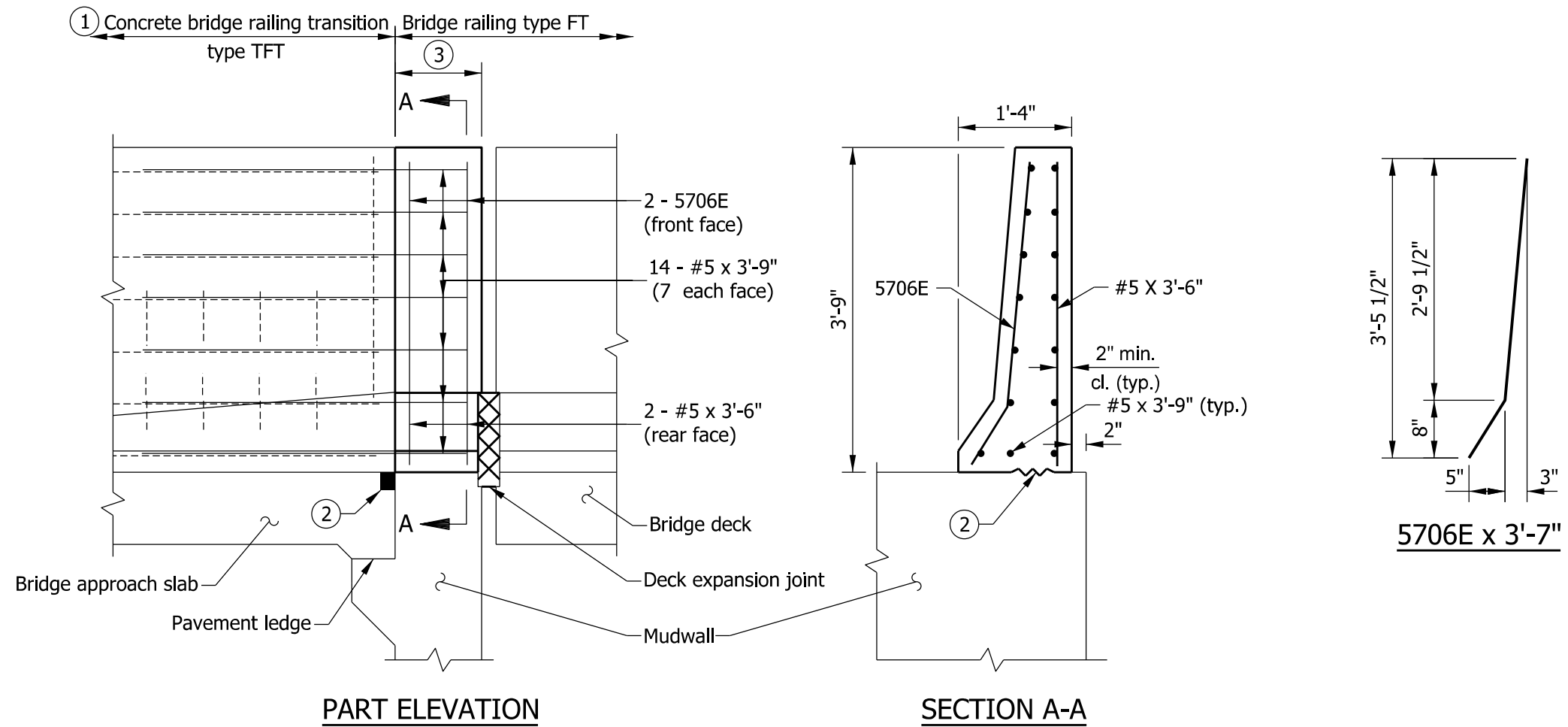
NOTES

1. See Standard Drawing E 706-TWFC-01 through -03 for concrete bridge railing transition type WFC. See Standard Drawings E 601-TWGB-01 through -03 for guardrail transition type WGB .
2. Prefomed holes, for connection of the guardrail transition type WGB to the end of the concrete bridge railing transition type WFC.



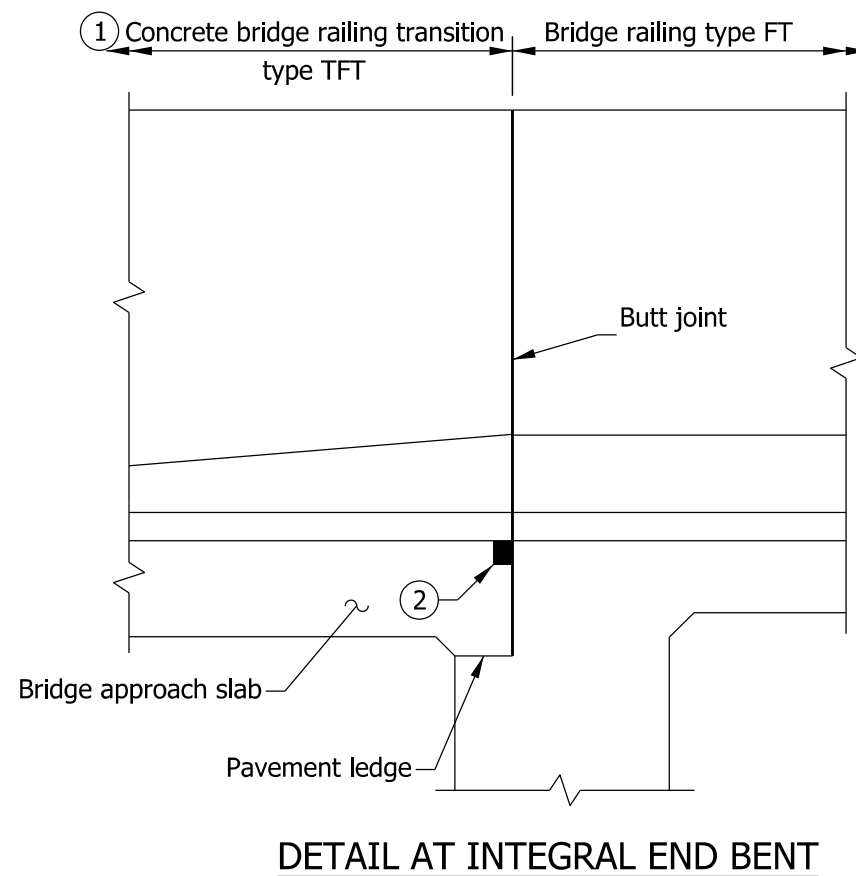
PART ELEVATION

INDIANA DEPARTMENT OF TRANSPORTATION	
BRIDGE RAILING TRANSITION WFC ATTACHMENT OF GUARDRAIL	
SEPTEMBER 2012	
STANDARD DRAWING NO.	E 706-CBRT-02
	/s/ <i>Richard L. VanCleave</i> 09/04/12 SUPERVISOR, ROADWAY STANDARDS DATE
	/s/ <i>Mark A. Miller</i> 09/04/12 CHIEF ENGINEER DATE

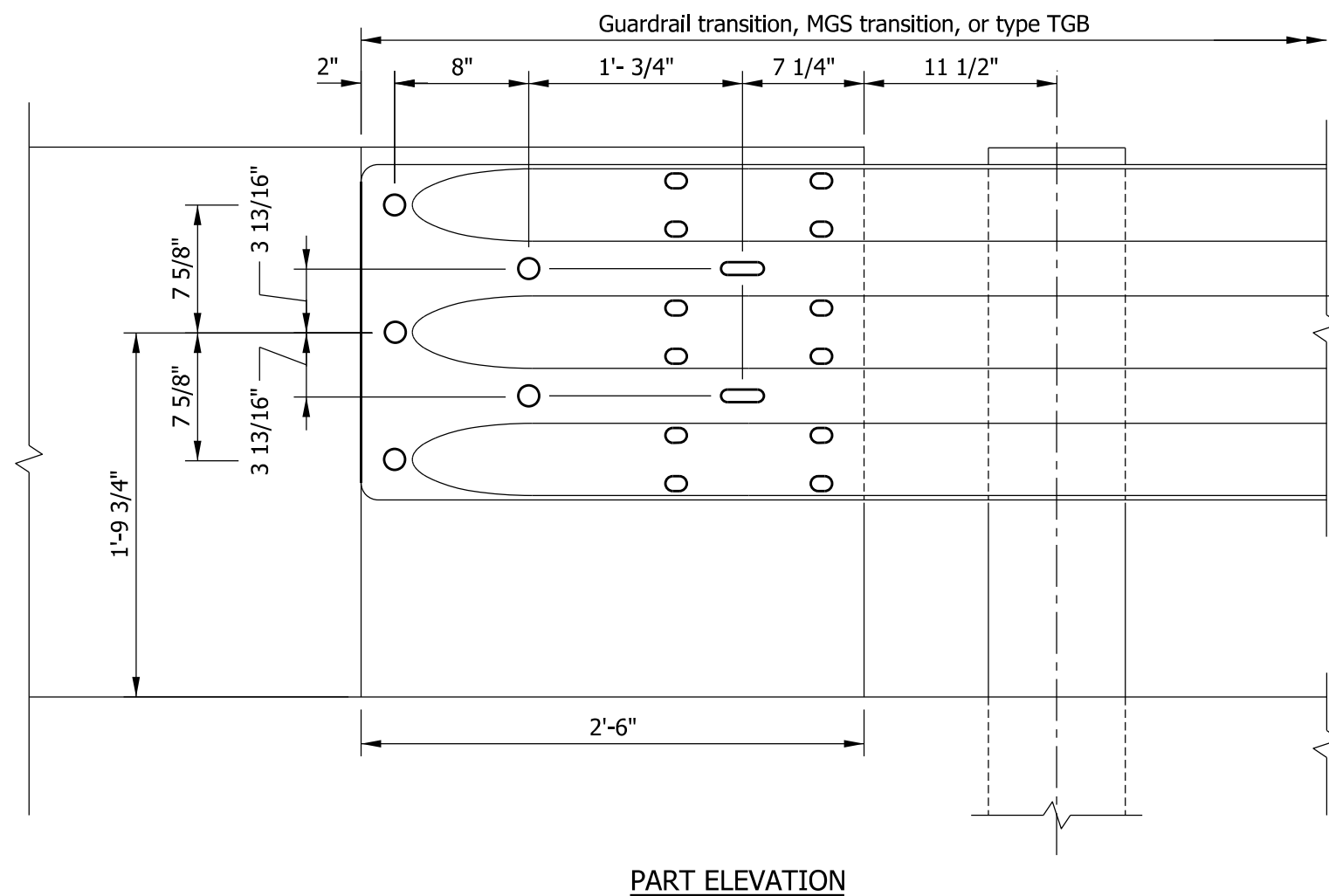
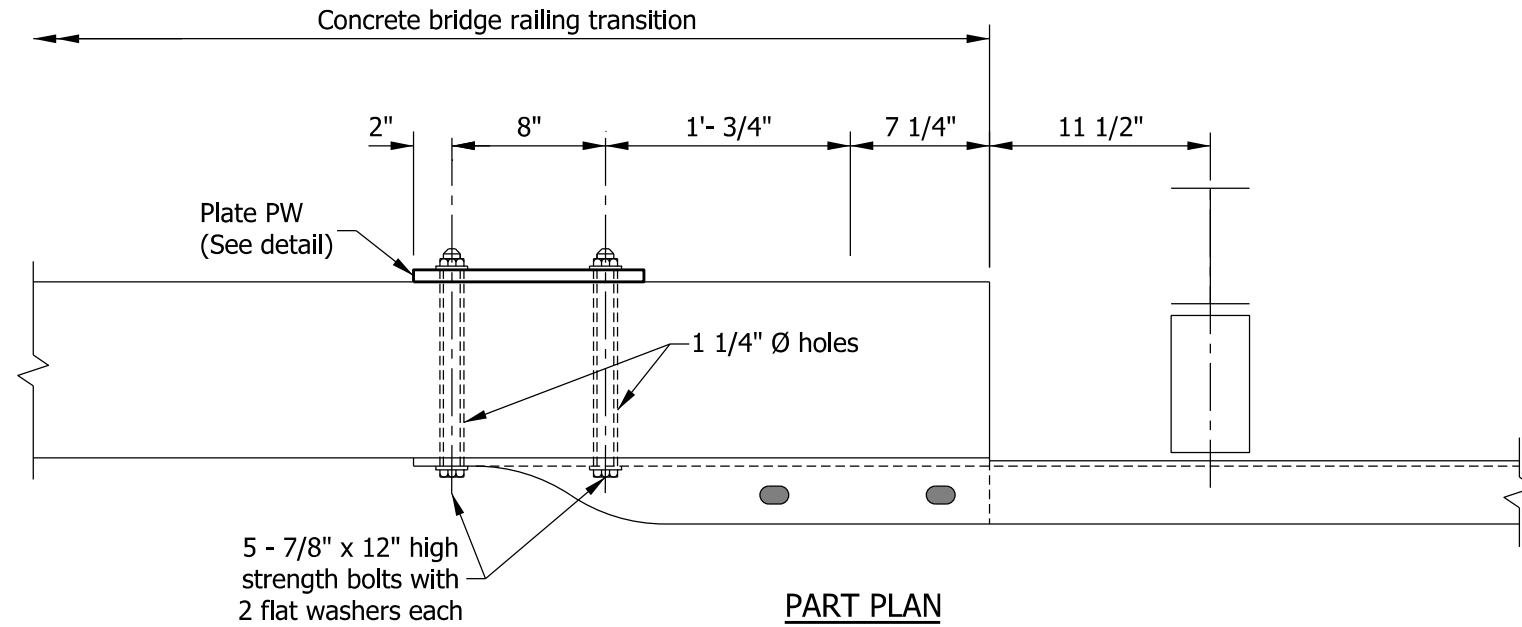


NOTES

- ① See Standard Drawings E 706-TTFT-01 through -03 for concrete bridge railing transition type TFT details.
- ② See Standard Drawing E 609-BRJT-01 for joint type I-A.
- ③ This shall be part of the concrete bridge railing, but it shall be poured with the concrete bridge-railing transition. The minimum length shall be equal to the width of the mudwall. See Standard Drawing E 706-BRSF-02 for bridge railing type FT dimensions.
4. See Standard Drawing E 703-BRST-01 for reinforcing-bar bending diagrams and notes.

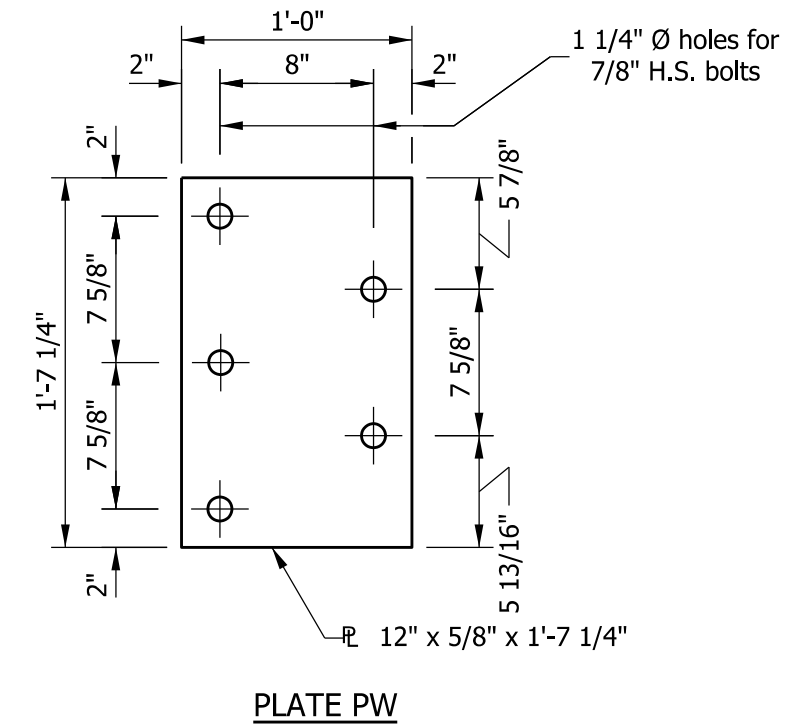


INDIANA DEPARTMENT OF TRANSPORTATION									
BRIDGE RAILING TRANSITION TFT DETAILS AT END BENT									
SEPTEMBER 2012									
STANDARD DRAWING NO.	E 706-CBRT-03								
	<table style="width: 100%; border-collapse: collapse;"> <tr> <td style="width: 80%; border-bottom: 1px solid black;">/s/ <i>Richard L. VanCleave</i></td> <td style="width: 20%; border-bottom: 1px solid black;">09/04/12</td> </tr> <tr> <td style="font-size: small;">SUPERVISOR, ROADWAY STANDARDS</td> <td style="font-size: small;">DATE</td> </tr> <tr> <td style="border-bottom: 1px solid black;">/s/ <i>Mark A. Miller</i></td> <td style="border-bottom: 1px solid black;">09/04/12</td> </tr> <tr> <td style="font-size: small;">CHIEF ENGINEER</td> <td style="font-size: small;">DATE</td> </tr> </table>	/s/ <i>Richard L. VanCleave</i>	09/04/12	SUPERVISOR, ROADWAY STANDARDS	DATE	/s/ <i>Mark A. Miller</i>	09/04/12	CHIEF ENGINEER	DATE
/s/ <i>Richard L. VanCleave</i>	09/04/12								
SUPERVISOR, ROADWAY STANDARDS	DATE								
/s/ <i>Mark A. Miller</i>	09/04/12								
CHIEF ENGINEER	DATE								



NOTES

- See Standard Drawing series E 706-TTFC for concrete bridge railing transition type TFC.
 • See Standard Drawing series E 706-TTFT for concrete bridge railing transition type TFT.
 • See Standard Drawing series E 706-TTPP for concrete bridge railing transition types TPF-1 and TPS-1.
 • See Standard Drawing series E 706-TTTF for concrete bridge railing transition type TTF.
 • See Standard Drawing series E 706-TTXX for concrete bridge railing transition type TTX.
- Preformed holes, for connection of the guardrail transition, MGS transition, or type TGB to the end of the concrete bridge railing transition.



INDIANA DEPARTMENT OF TRANSPORTATION	
BRIDGE RAILING TRANSITION ATTACHMENT OF GUARDRAIL	
SEPTEMBER 2012	
STANDARD DRAWING NO.	E 706-CBRT-04
	/s/ <i>Richard L. VanCleave</i> 09/04/12 SUPERVISOR, ROADWAY STANDARDS DATE
	/s/ <i>Mark A. Miller</i> 09/04/12 CHIEF ENGINEER DATE